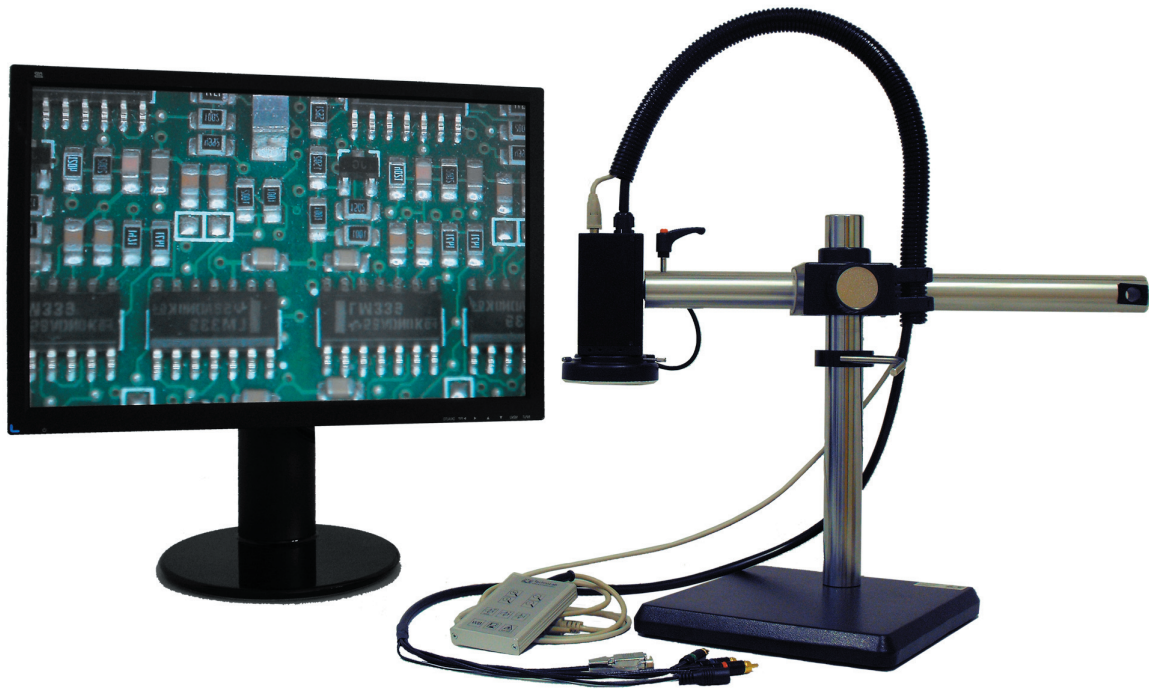


EasyInspector TD

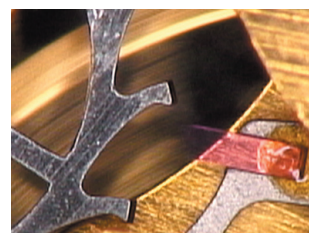
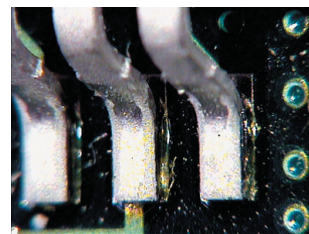
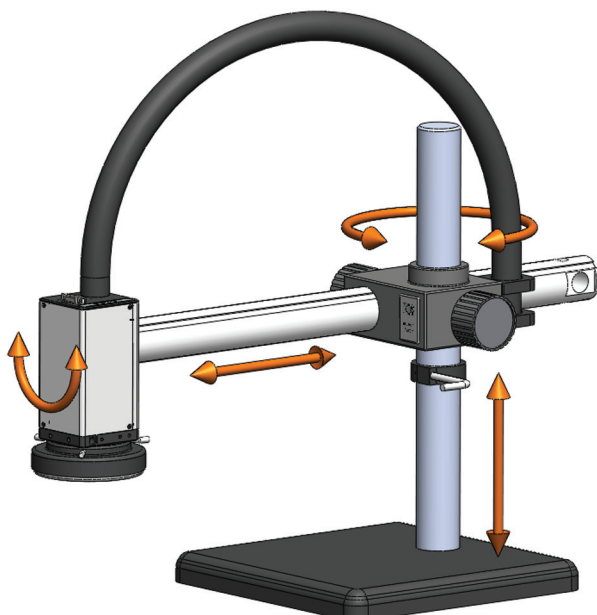


Characteristics

- compact design, small dimensions, lightweight
- easy handling
- ergonomic working position
- HD resolution with 1920 x 1080
- large working distance
- tiltable camera
- illumination included

Application

- prototyping, manual rework, micro-assembly and inspection in: automotive industry, aviation, medical engineering, mechanical workshops
- quality assurance, production, defect analysis, etc.
- for universal use in: electronics industry, mechanical engineering, forensic pathology, textile and paper industry, etc.



Technical specifications

degree of protection	IP 40
dimensions (w x l x h)	approx. 300mm x 480mm x 380mm
weight	19.000g
protection class	III / VDE 701/702
ESD protection	as per DIN EN 61340-5-1, electrostatically discharging
ambient temperature	max. 45°C
supply voltage	power supply AC in: 100 - 240V - 60Hz / DC out: 12V - 3.300mA
power input	3A max.
video connection	Y/C (PAL), YPbPr (HDTV) RS 232
camera technology	1-chip CCD with digital signal processor
horizontal resolution	PAL >470 TV lines, HDTV 1080 TV lines
camera resolution	PAL 768 x 576, HD 1920 x 1080
depth of shade	24 bit RGB
video-signal	Composite 1,0 Vpp, (PAL) Component Y, Pb, Pr (1080i)
magnification	up to 155x (with 24" screen and HD)
zoom factor	10x optical / 12x digital
focal distance (standard)	focal distance 150 mm

The EasyInspector TD is supplied with:

basic device	stand with tiltable camera system
lens	focal distance 150 mm
remote control	for: zoom, focus, white balance, laser pointer
illumination	LED ring light
power supply	AC in: 100 – 240V – 60Hz / DC out: 12V – 3300mA
types available	PAL, 500k pixels, 576i HD, 2M Pixel, 1080i

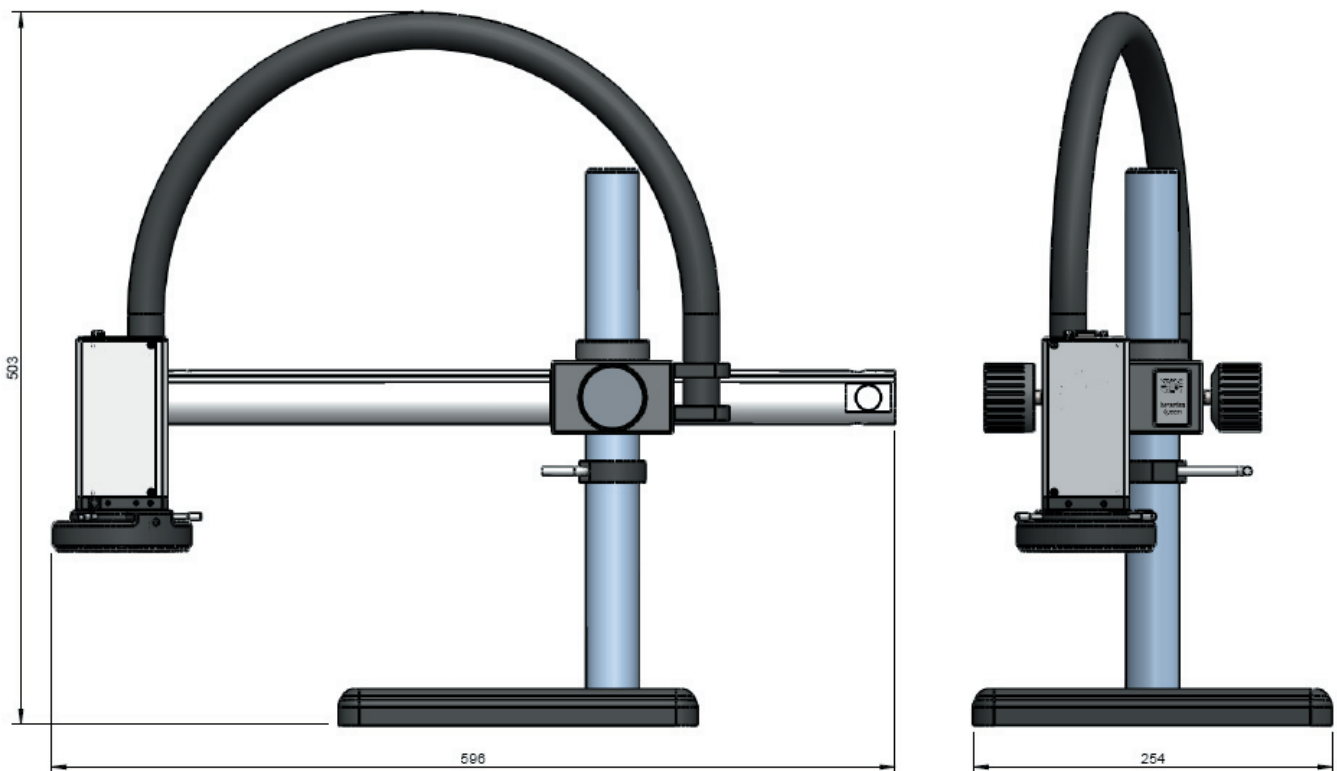
Accessories:

TFT display with 8" to 47"
framegrabber with PCIe connection for PC installation (HD)
framegrabber with USB 2.0 port to PC (PAL)
PC-independent image memory box for USB sticks

ball table

double polarization filter
control of focus and zoom
hand support (set of 2)

software IMXpro for image storing, measuring and control of focus and zoom for generating images with indefinite depth of field (image merging)



Contact:

TechnoLab GmbH
Am Borsigturm 46
13507 Berlin- Germany

Fon +49 30 4303 3160
Fax +49 30 4303 3169

info@technolab.de
www.technolab.de